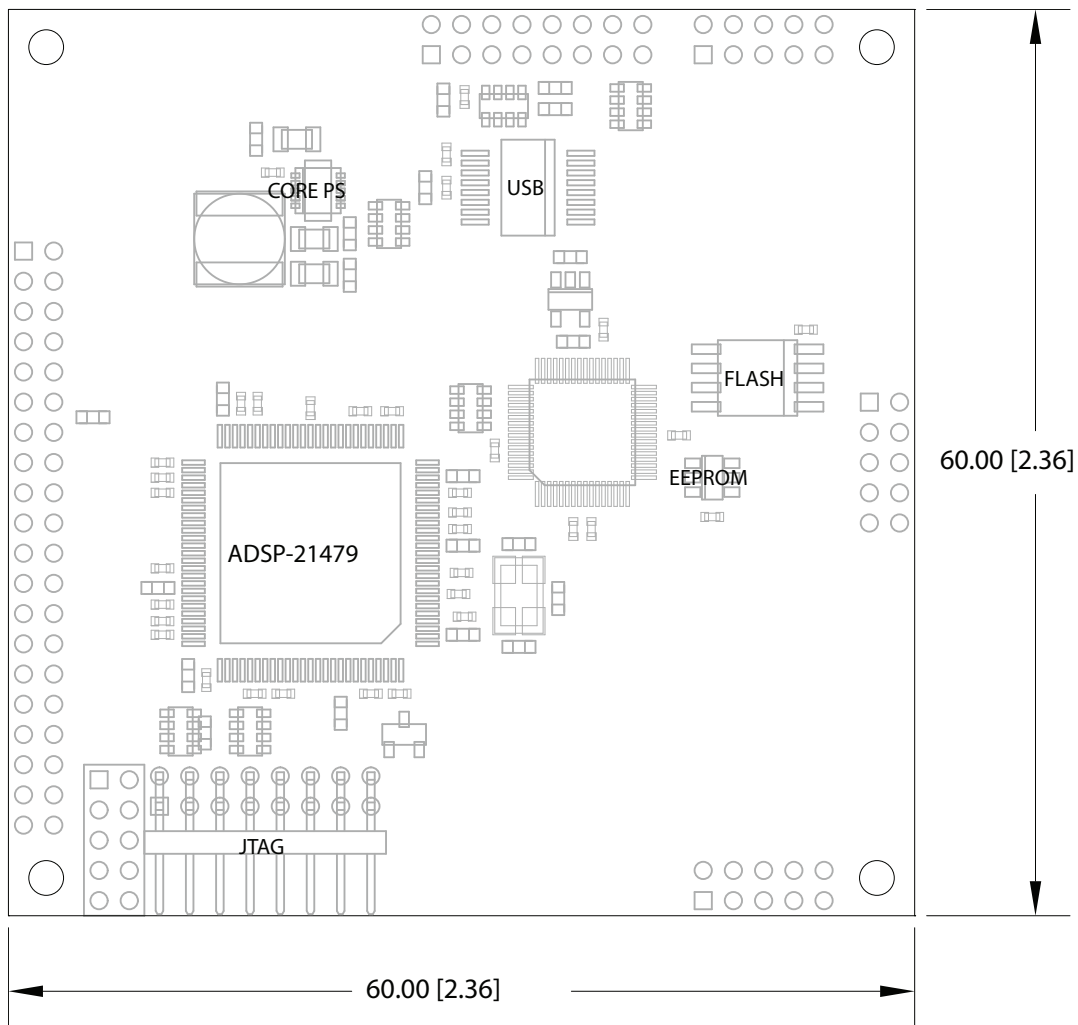


# dspblok™ 21479



## User Manual

Version 1.20

# Danville Signal Processing, Inc.

## dspblok™ 21479

### User Manual

Copyright © 2013-2017 Danville Signal Processing, Inc. All rights reserved. Printed in the USA.

Under the copyright laws, this manual may not be reproduced in any form without prior written permission from Danville Signal Processing, Inc.

Danville Signal Processing, Inc. strives to deliver the best product to our customers. As part of this goal, we are constantly trying to improve our products. Danville Signal Processing, Inc., therefore, reserves the right to make changes to product specification or documentation without prior notice. Updated operating manuals and product specification sheets are available at our website for downloading.

This manual may contain errors, omissions or “typo’s”. Please send your comments, suggestions and corrections to:

Danville Signal Processing, Inc.  
29687 82nd Avenue Way  
Cannon Falls, MN 55009

## Trademark Notice

dspblok, dspstak, dspFlash and dspBootloader are trademarks of Danville Signal Processing, Inc. VisualDSP++, CrossCore, SHARC and Blackfin are trademarks of Analog Devices, Inc.

## Contact Information

Danville Signal Processing, Inc.  
29687 82nd Avenue Way  
Cannon Falls, MN 55009

E-mail: [dsp@danvillesignal.com](mailto:dsp@danvillesignal.com)  
Web Site: <http://www.danvillesignal.com>

Voice: 507-263-5854

Fax: 877-230-5629

# Table of Contents

Overview.....	1
dspblok™ 21479.....	1
Intended Audience .....	1
Getting Started.....	2
Hardware Overview .....	5
Power Supply.....	5
Memory.....	6
DAI & DPI .....	6
Clocks.....	6
MAC Address.....	6
Multiprocessor Configurations.....	6
Reset.....	7
Signal Levels .....	7
Boot Options .....	7
Connections .....	8
Connector Recommendations & Notes .....	9
Connector Specification .....	9
JH1 – JTAG .....	9
JH2 – DAI, DPI, IO .....	9
JH3 – Configuration .....	9
JH4 – Power & Clock.....	9
JH7 – Flags.....	10
JH8 – USB & dspBootloader Mode .....	10
Mechanical Dimensions (dspblok 21479).....	11
Schematic.....	11
Product Warranty .....	12
RoHS & WEEE Compliance.....	13

# Overview

Danville Signal's dspblok™ family of products delivers the power of digital signal processing in a small 60mm x 60mm form factor. Connections are brought out to standard 2mm dual row headers. The dspblok reduces development costs, risk and time.

Danville's dspblok DSP function modules are often incorporated directly into larger custom embedded systems. By taking advantage of pretested signal processing modules, pc board layouts become simpler and projects are completed quickly and cost effectively. Danville's dspblok DSP Engines are largely pin compatible. This allows your application to take advantages of new processor technology and extended features in the future.

Each dspblok DSP module includes a core switching supply, flash and EEprom memory and the Danville dspBootloader application. Most dspblok DSP modules also include a USB transceiver. Some dspbloks also include external DDR SDRAM and/or external data busses.

There are two broad categories of dspbloks: standard and USB audio.

The standard dspbloks maximize the I/O that is available from the SHARC DSP. This translates to 12 of 14 DPI lines and all 20 DAI lines.

The USB Audio dspbloks have a companion processor that supports USB Audio Class 2 (UAC2). These are supplied with Windows device drivers and are supported natively by Apple OS X and Linux. Since the USB audio requires streaming and control connections, the amount of external I/O is restricted to a subset of the standard dspbloks.

You can learn more about these differences by reviewing the "dspblok Designing for Compatibility" manual.

Danville dspblok DSP Engines are the driving force behind many of Danville's standalone products such as our dspstak™, dspMusik™ and dspInstrument™ product lines.

## **dspblok™ 21479**

The dspblok™ 21479 is a highly integrated, low power DSP module that incorporates an Analog Devices' ADSP-21479 SHARC DSP operating at 250 MHz with flash and EEProm. An onboard switching power supply supports the core voltage requirements of the DSP so that only 3.3V is required to power the dspblok. The ADSP-21479 peripherals include SPORTS (8), SPI(2), TWI (I2C), UART, timers, PWMs, JTAG and a USB port. USB is provided by an FTDI FT220XS-R, which is a full speed USB device with excellent driver support. Each dspblok 21479 also includes a unique MAC address (IEEE EUI-48™).

These peripherals are available via 2mm headers on the dspblok.

## **Intended Audience**

The dspblok 21479 requires an understanding of the Analog Devices' ADSP-21479 and the associated tools used for development. If the dspblok 21479 is going to be integrated into a larger hardware design, then it is also assumed that the user is familiar with basic hardware design. In most cases, systems integrators, DSP

programmers and software engineers can create DSP embedded systems using our embedded dspblok systems (or dspstak family) without the need for additional hardware design and manufacturing.

If you do not have a background with these skills, you may want to check out our web site (<http://www.danvillesignal.com>) as well as the Analog Devices web site for links to useful references. Danville engineers are also available to discuss your application.

## Getting Started

Danville's customer base is quite diverse. Our customers range from embedded systems hardware designers to system integrators looking for complete turnkey solutions. We often work with embedded systems engineers who may not have specific expertise in digital signal processing.

Regardless of your background, you will need the right tools. This means either Visual DSP++ 5.1.1 for SHARC or CrossCore Embedded Studio for the software development along with an ADI emulator.

### **Visual DSP++ 5.1.1 versus CrossCore Embedded Studio:**

VisualDSP++ has been ADI's DSP software environment for many years. In many ways, it has a similar look and feel to Microsoft's Visual Studio Tools. There are separate licenses for SHARC and Blackfin so customers that need to support both families often need to buy two full licenses. In our view, the full version of VisualDSP++ is expensive, about \$3500 US. However, once you own VisualDSP++, you can continue updating for free. Version 1.0 customers can now be using Version 5.0 without incurring any maintenance charges. There are also TESTDRIVE licenses, which are free.

CrossCore Embedded Studio is ADI's replacement for VisualDSP++. Unlike VDSP++, it is Eclipse based. It has a much lower entry cost: \$1000 US. It will likely have upgrade costs as new processors are added. This may not matter at all if you are not migrating to newer DSPs. CrossCore supports both Blackfin and SHARC DSP with a single license. ADI offers a free 90 day TESTDRIVE version.

## **dspblok 21479 with an ADI ICE :**

You will want to connect to the dspblok 21479 via an Analog Devices emulator. Analog Devices offers two versions: the ICE-1000 and the ICE-2000. We prefer the faster ICE-2000, which is nearly 10 times faster and also supports background telemetry. You will also need a Danville JTAG adapter kit (P/N A.08154), which converts the Danville JTAG 2mm header to the larger ADI JTAG connector.

You will also need a FULL VisualDSP++ 5.1.1 or CrossCore Embedded Studio license after 90 days.

### **Development Boards:**

If you are designing your own companion board, we strongly recommend that you use one of our existing I/O boards and/or power supply boards as an initial development platform. Depending on your situation, this could be a dspblok dev board, dspstak system, dspInstrument, or a combination of dspblok I/O and power supply modules. Any of these components will give you a solid footing for development before you incorporate the dspblok into your own target.

If you are laying out your own pc board, we can provide you with PCB footprints and schematic symbols (Gerber & Altium Designer) to help you avoid simple mistakes.

Regardless of your situation, Danville engineers are available to help you with your application. We may have solutions that are not yet on our web site. We also provide many solutions that are specifically tailored to customer needs. Contact us about turnkey solutions.

We recommend that you have the documents:

- Danville Signal Designing for Compatibility Manual
- Danville Signal dspBootloader Manual
- Analog Devices ADSP-21477/21478/21479 SHARC Processor Data Sheet
- Analog Devices ADSP-214xx SHARC Processor Hardware Reference Manual
- Analog Devices SHARC Processor Programming Reference Manual
- Analog Devices VisualDSP++ 5.0 Manual Set

We recommend that you have the tools:

- Analog Devices VisualDSP++ 5.1.1 for SHARC or CrossCore Embedded Studio
- Analog Devices ICE-1000 or ICE-2000
- Danville JTAG Adapter P/N A.08154
- Danville dspblok Development Board P/N A.08102A

Our website ([www.danvillesignal.com](http://www.danvillesignal.com)) has downloads and links to these tools and documents.

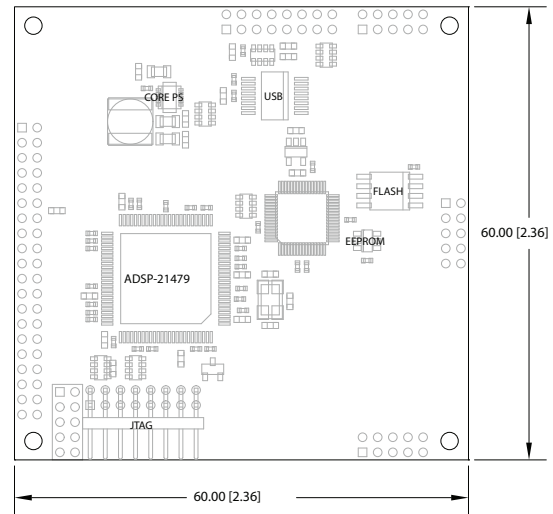
The dspblok 21479 includes the following:

**Hardware:**

- dspblok 21479 Module

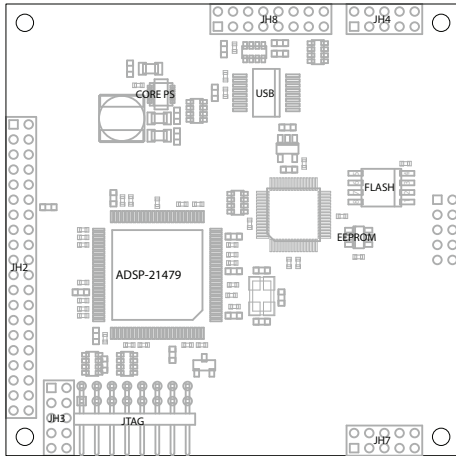
**Documents (DVD or Dropbox link):**

- This Manual
- CAD footprints (Gerber & Altium formats)
- Schematics
- Sample Programs



# Hardware Overview

The dspblok 21479 is a small module measuring 60mm x 60mm (2.36" x 2.36"). JH2 and JH4 – JH8 are 2mm male headers that are installed on the bottom side of the pc assembly. JH1 and JH3 are mounted on the top side of the pc assembly. If mating 2mm female headers (4.3mm ht.) are used, the pc assembly will be about 1/4" above the mating pc board. This allows standard (0.250") standoffs to be used with the corner mounting holes if desired. The hole size is 2.3mm – suitable for 2-56 or M2 screws.



- JH1 – JTAG (connects to external ICE) (Top Side)
- JH2 – DAI, DPI, I/O, SPI & System (Bottom Side)
- JH3 – Clock & Boot Configuration (Top Side)
- JH4 – Power (Bottom Side)
- JH7 – Flags (Bottom Side)
- JH8 – USB Port & dspBootloader Mode (Bottom Side)

## Power Supply

There are two power supply connections to the dspblok: DSP core (Vdd) and DSP I/O and Memory (Vd+3.3). The DSP core supply may range from 3.3V to 5V. This is the input to an on-board switching power supply that supplies 1.2V to the ADSP-21479. DO NOT use a higher voltage supply for the core supply input (JH4-Vdd).

A single 3.3V supply is all that is required to power the dspblok 21479, but in some cases, a 5V supply may be more convenient. The DSP I/O and Memory supply must be 3.3V.

For example, a product may already have a switching supply that converts directly to 3.3V. In this case, it may be desirable to supply both the DSP core and the dspblok Vd+3.3 (I/O) from this supply.

Alternatively, a product might have a 5V supply (perhaps from an external power supply module). A simple LDO fixed regulator could be used to create 3.3V from this supply. Most high-speed devices, including the ADSP-21479, draw most of their power from their core supplies. In this scenario, it makes no sense to power the dspblok core with 3.3V since the LDO would be dissipating the excess voltage as heat. If the I/O requirements are modest, the power dissipation in the LDO might not be significant.

Power consumption is largely a function of the temperature (due to leakage current) for most SHARC DSPs. Leakage current has been greatly reduced in the ADSP-21479. This makes it suitable for lower power applications. The tradeoff is that it cannot operate as fast as other SHARC DSPs. The Analog Devices' ADSP-21479 SHARC Processor Data Sheet has an excellent section on estimating power consumption of the DSP.



## Memory

The ADSP-21479 includes 5Mbits of internal SRAM. This is 2.5 times more than the earlier third generation SHARC DSPs (ADSP-21369). We have found that most applications do not need more than the abundant internal memory of the ADSP-21479. Those applications that do require large blocks of memory are much better served by the pin compatible dspblok 21469 or dspblok 21469+USB. The ADSP-21469 supports much faster DDR2 SDRAM with an independent interface.

A 16Mbit serial flash memory may be used to bootload the DSP. There is a pre-installed bootloader program that resides in the flash. This program accepts standard ADI loader files (SPI, slave, binary, 8 bit) and can be uploaded with a dspblok development board, a dspstak 21479 or any Danville board that includes a USB connector. If you want to manage the flash memory yourself, you can overwrite the internal bootloader via the JTAG port. In this case, the Danville dspFlash™ Blackfin & SHARC Programmer is available for fast production programming.

8kbits of EEPROM memory is also available as byte addressable user memory. For example, you might store serial numbers, build versions or calibration values in this space.

## DAI & DPI

The ADSP-21479 has 20 DAI lines and 14 DPI lines. Collectively these can be thought of as two sets of crossbar switches that connect to a wealth of peripherals. The dspblok 21479 maintains the flexibility of the DAI and DPI by bringing out all 20 DAI and 12 of 14 DPI lines to external connections.

The DAI is completely unencumbered and can be assigned to I/O in an arbitrary manner. The DPI is slightly restricted in that the primary SPI interface is assigned to DPI1 (MOSI), DPI2 (MISO), DPI3 (SCK), DPI5 (Flash SS) and DPI6 (Internal SS). With the exception of DPI6, these connections are necessary to support SPI master booting. The dspblok 21479 may also be booted from an external host using SPI slave mode. In this case DPI4 is also used as the SPIDS# line.

## Clocks

The dspblok 21479 has a 25.000MHz crystal on the board to use as its clock source. The ADSP-21479 configures its internal PLL to create the core clock. The maximum speed of the ADSP-21479 in LQFP 100 is 266MHz. The default configuration is  $25.000\text{M} \times 10 = 250\text{M}$ . In many applications, you may want to reduce the clock for lowest power consumption.

## MAC Address

Each dspblok 21479 has a unique IEEE EUI-48 address. This feature is part of the on-board EEPROM (Microchip 25AA02E48).

## Multiprocessor Configurations

The dspblok 21479 may be used as a coprocessor in a larger system. Perhaps the easiest way to communicate with an external host to configure the secondary SPI port as a slave. The primary SPI port

remains configured as an SPI master so that it can manage local resources such as flash and EE memory as well as other I/O devices.

You can also use SPORTs for interprocessor communication. This can be a good approach for Blackfin – SHARC combinations. It also works well for multichannel applications where you might use several dspbloks to provide front end signal processing and combine into a consolidated TDM data stream. The results could be routed to a central processor that manages the whole system and communicates to the outside world.

## **Reset**

On power up, the dspblok 21479 is automatically held in reset until the 3.3V power supply is stable. RESET# is active low and open drain. This means that an external device(s) may also reset the dspblok by pulling the reset line low. External devices should not drive RESET# high since this can cause contention with the on-board reset circuit. The external reset circuit is connected in a wired-OR configuration using an active low – open drain configuration. A 74LVC125 or an open collector/drain transistor circuit are possibilities. You do not need an additional pull up resistor.

## **Signal Levels**

The dspblok 21479 uses standard 3.3V logic levels. These levels have become the defacto operating standard for many years now. DO NOT use 5V logic when interfacing to the dspblok. The inputs are not 5V tolerant. Most external devices requiring 5V TTL levels can be safely driven by the dspblok. If you have questions concerning interfacing external devices, please contact Danville for suggestions.

## **Boot Options**

All ADSP-21479 boot options are available via the configuration and programming header (JH3). These include Master SPI (flash memory) and Slave SPI (external host). The boot mode pins are pulled passively to create a default boot mode of SPI Master.

# Connections

	Pin	Description		Pin	Description		Pin	Description
<b>JH1</b>		<b>JTAG</b>		<b>JH2</b>	<b>DAI, DPI, IO</b>		<b>JH3</b>	<b>Configuration</b>
	1	EMUSEL		1	GND		1	GND
	2	EMU		2	DPI8	Note 4	2	BOOTCFG0
Note 1	3	Key (No Pin)	Note 2	3	DPI4		3	Vd+3.3
	4	GND		4	DPI13	Note 4	4	BOOTCFG1
	5	Vd+3.3 Mon		5	DPI14		5	Vd+3.3
	6	TMS		6	FLG0	Note 4	6	BOOTCFG2
	7	GND		7	DPI7		7	Vd+3.3
	8	TCK		8	DPI11	Note 5	8	CLKCFG0
	9	GND		9	DPI12		9	GND
	10	TRST#		10	DPI9	Note 5	10	CLKCFG1
	11	GND		11	DPI10			
	12	TDI		12	FLG1	<b>JH4</b>		<b>Power</b>
	13	GND	Note 3	13	FLG3			
	14	TDO		14	DPI1/MOSI		1	GND
	15	Vd+3.3		15	DPI3/SCK	Note 10	2	NC
	16	Vd+3.3		16	DPI2/MISO	Note 6	3	USB PE#
				17	RESET#	Note 10	4	NC
<b>JH8</b>		<b>USB</b>	Note 3	18	Reserved	Note 7	5	Vd+3.3
				19	DAI1	Note 7	6	Vd+3.3 (USB)
	1	NC		20	DAI2	Note 8	7	Vdd (3.3V or 5V)
	2	NC		21	DAI3	Note 8	8	Vdd (3.3V or 5V)
	3	USB VBUS		22	DAI4	Note 9	9	PS Sync
	4	NC		23	DAI5		10	GND
	5	GND		24	DAI6			
	6	GND		25	DAI7	<b>JH7</b>		<b>Flags</b>
	7	USB DP		26	DAI8			
	8	USB DN		27	DAI9		1	NC
	9	GND		28	DAI10		2	NC
	10	GND		29	DAI11		3	NC
	11	Reserved		30	DAI12		4	NC
	12	GND		31	DAI13		5	NC
	13	USER MODE 1		32	DAI14		6	NC
	14	GND		33	DAI15		7	NC
	15	USER MODE 0		34	DAI16		8	NC
	16	GND		35	DAI17		9	FLG2
				36	DAI18		10	FLG3
				37	DAI19			
				38	DAI20			
				39	GND			
				40	GND			

Note 1: Mating Plug is plugged to prevent misalignment.

Note 2: DPI4 also functions as SPIDS# in SPI slave booting applications.

Note 3: Leave Unconnected.

Note 4: Boot Configuration is 001 by default (SPI Master Booting).

Note 5: Clock Configuration is 10 by default (16 x ClkIn), generally reconfigured in program code.

Note 6: Active after USB is enumerated.

Note 7: Normally connect Vd+3.3 Pins 5&6 together. Possible USB bus power with external circuits.

Note 8: Vdd is externally supplied: 3.3 to 5V (Vin for DSP Core Switching supply). Both connections must be the same voltage.

Note 9: Leave open or supply 1.4 to 1.6M clock, typically data converter MCLK/N

Note 10: Not Connected, may be used for extended features by other dspbloks.

Note 11: This connector is not used in the dspblok 21479, but is defined for dspblok 21479+ETH.

## Connector Recommendations & Notes

### Connector Specification

All dspblok connectors are gold plated 2mm dual row headers. Male connectors are generally mounted on the bottom side of the dspblok pc assembly. The exceptions are JH3 & JH1, which are not intended to mate to a motherboard. The plastic base of each male connector is 2mm. The height of the female headers is 4.3mm. This means that the inserted combined height of the two connectors is 6.3mm or approximately ¼ inch. Standard standoffs may be used to secure the dspblok to the target pc board. Mounting holes are 2.3mm dia. to accommodate a 2-56 or M2 screws or standoffs.

### JH1 – JTAG

This connector is mounted on the top side of the dspblok. A 2mm right angle header is used instead of the larger ADI JTAG header. The connections on the JTAG header correspond with the connections on an ADI JTAG header. In addition, Vd+3.3 is also available. This addition allows an active buffer circuit to be added for JTAG chaining applications. Danville has an ADI JTAG adapter available (P/N A.08154).

### JH2 – DAI, DPI, IO

This connector is mounted on the bottom side of the dspblok. The DAI lines are all uncommitted by the dspblok. With the exception of the SPI lines, the DPI can be freely assigned.

### JH3 – Configuration

This connector is mounted on the top side of the dspblok. It provides direct access to the ADSP-21479 clock mode and boot mode configuration pins. In most cases, you should leave all the connections open. Use shorting jumpers if you want to change the configuration. Note that each shorting jumper will cause the corresponding mode pin to deviate from the pin state of the default configuration. This means that some pins are pulled high and others low.

### JH4 – Power & Clock

This connector is mounted on the bottom side of the dspblok. This is the main power feed to the dspblok,

Vdd is the input to the core switching supply. Both Vdd pins should be connected to together and fed with either 5V or 3.3V. Likewise, Vd+3.3 should be connected together and fed with 3.3V.

## **JH7 – Flags**

JH5 is generally the external address bus on other dspbloks. In the dspblok 21479, only the FLG 2 & FLG 3 I/O is brought out. The remaining pins are not connected but may be used in other designs that support different dspbloks.

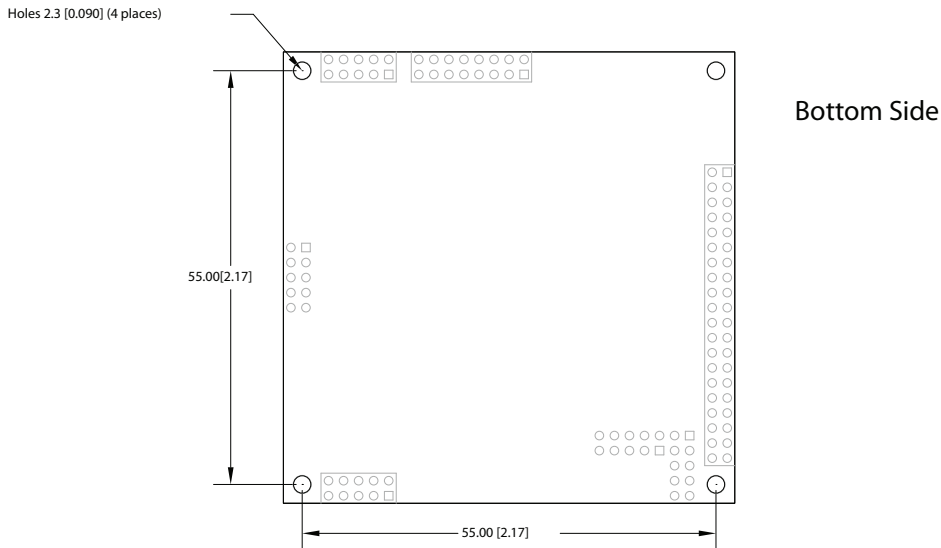
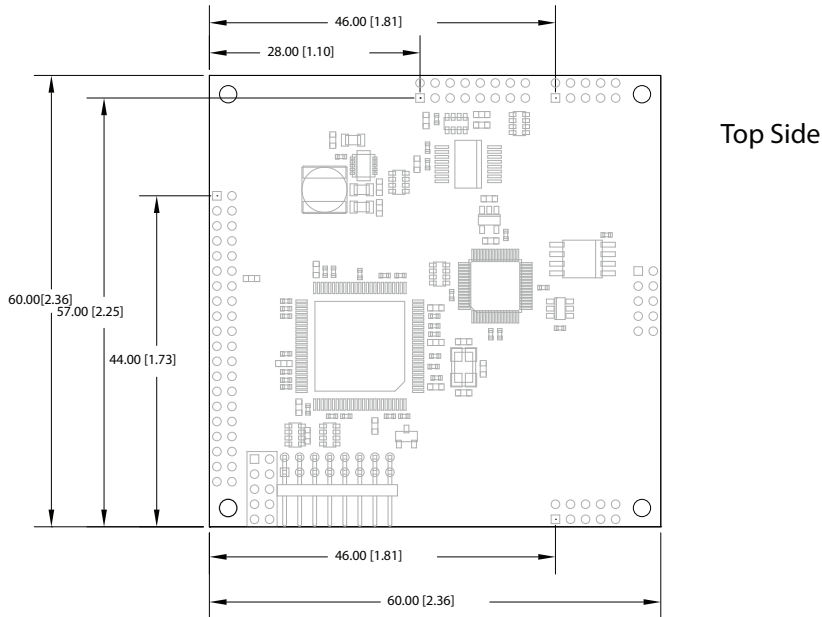
## **JH8 – USB & dspBootloader Mode**

JH8 supports the Danville dspBootloader. The dspBootloader allows you to upload your application and any supporting files via the USB port (and other ports as well). If the connections are left open, the dspBootloader will operate in its default setting. We recommend that you bring the mode pins out to an external configuration header or a dip switch.

You should review the dspBootloader manual for detailed information.

The USB portion of JH8 requires some attention to detail. Route closely spaced tracks on the top layer of the PCB with a corresponding ground plane layer on the next layer. You do not want discontinuities in this plane. Keep other traces away from the DM & DP lines. This is especially important if you plan on compatibility with other dspbloks that have high speed USB capability. You may also want to add a good transient suppressor. A Texas Instruments' TPD2E001 is good choice.

# Mechanical Dimensions (dspblok 21479)



Mounting holes are equidistant from the center of the dspblok. These holes are 2.3mm in diameter, suitable for 2-56 or M2 screws. When 4.3mm height mating female connectors are used, the board will be 6.3mm (0.25 in) above the target board, therefore 0.250 standoffs may be used.

Component height above the board is 6mm (0.236 in). The board is 1.6mm (0.062 in) thick.

## Schematic

The Distribution CD includes schematic diagrams of the dspblok 21479.

# Product Warranty

Danville Signal Processing, Inc. products carry the following warranty:

Danville Signal Processing products are warranted against defects in materials and workmanship. If Danville Signal Processing receives notice of such defects during the warranty period, Danville Signal Processing shall, at its option, either repair or replace hardware products, which prove to be defective.

Danville Signal Processing software and firmware products, which are designated by Danville Signal Processing for use with our hardware products, are warranted not to fail to execute their programming instructions due to defects in materials and workmanship. If Danville Signal Processing receives notice of such defects during the warranty period, Danville Signal Processing shall, at its option, either repair or replace software media or firmware, which do not execute their programming instructions due to such defects. Danville Signal Processing does not warrant that operation of the software, firmware, or hardware shall be uninterrupted or error free.

The warranty period for each product is one year from date of installation.

## **Limitation of Warranty:**

The forgoing warranty shall not apply to defects resulting from:

- Improper or inadequate maintenance by the Buyer;
- Buyer-supplied software or interfacing;
- Unauthorized modification or misuse;
- Operation outside the environmental specification of the product;
- Improper site preparation and maintenance.

## **Exclusive Remedies:**

The remedies provided herein are the Buyer's sole and exclusive remedies. In no event shall Danville Signal Processing, Inc. be liable for direct, indirect, special, incidental or consequential damages (including loss of profits) whether based on contract, tort, or any other legal theory.

## RoHS & WEEE Compliance

The European Union approved a directive on the restriction of the use of certain hazardous substances in electrical and electronic equipment. This directive is commonly known as RoHS, EU Directive 2002/95/EC. This directive severely limits the amount of lead and 5 other substances that can be in contained in nonexempt products. The directive became European law in February 2003 and took effect July 1, 2006.

There are a number of important exemptions that affect many of our customers. The most important of these is Category 9, Control and Monitoring Instruments. You may wish to review your situation to see if this exemption applies to you. Military, medical and some other products are also exempt. We suggest that you make an appropriate assessment concerning your products.

The dspblok 21479 is RoHS compliant.

The dspblok 21479 is a subcomponent of a larger system; therefore it is not subject to the WEEE directive EU Directive 2002/96/EC.